

Crometta
Showerpipe with Tub Filler without Shower Components
 Surface: **chrome** Part no. : **04869000**



Description

Features

- Height-adjustable hand shower holder
- Integrated volume control/diverter for 2 functions
- Outlets may not be operated simultaneously
- Exposed installation
- Thermostatic cartridge
- Does not include: Showerhead, hand shower
- 3 functions

Item details

List Price \$ 916.00

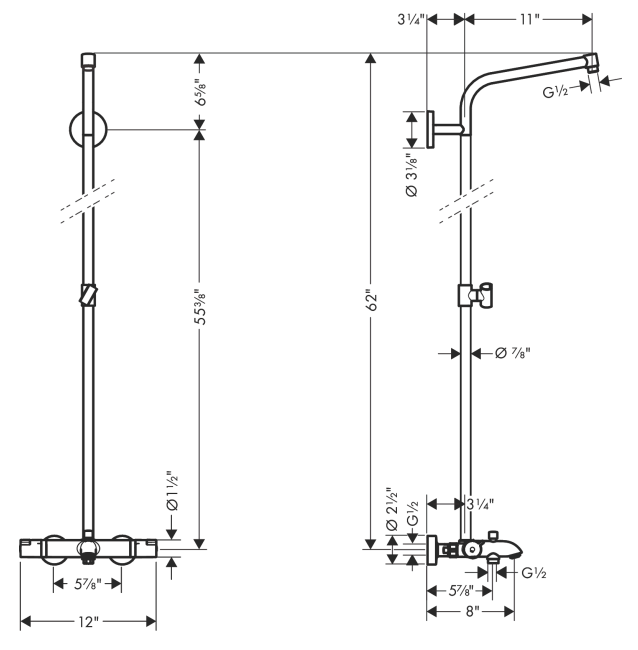
Compliance



Product image



Scale drawing

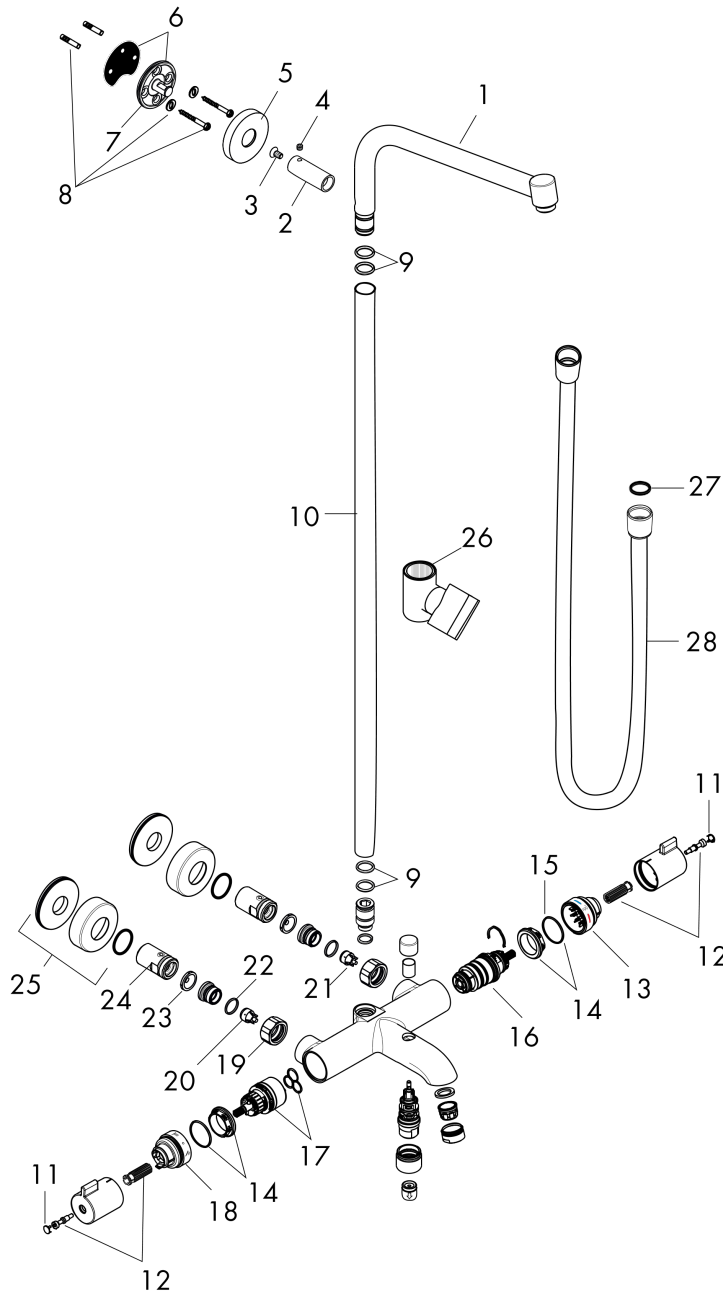


Crometta
Showerpipe with Tub Filler without Shower Components
 Surface: **chrome** Part no. : **04869000**



Exploded drawing

Year of production: >06/20



Crometta
Showerpipe with Tub Filler without Shower Components
 Surface: **chrome** Part no. : **04869000**



Spare parts list

Year of production: >06/20

Pos.	Description	Part no.	Price	PU
1	shower arm	93072000	-	1
2	sleeve	92166000	-	1
3	screw	92137000	-	1
4	hollow set screw M6x5	98447000	-	1
5	escutcheon Ø 60 mm	95692000	-	1
6	wall flange	95688000	-	1
7	O-Ring 50x2	98187000	-	1
8	mounting set	96179000	-	1
9	O-ring 15x2,5	98131000	-	1
10	pipe 900 mm	92400000	-	1
11	cover cap	95433000	-	1
12	handle fixing set	95843001	-	1
13	safety set for temperature control	95839001	-	1
14	nut	98913000	-	1
15	O-ring 26x1,5	98390000	-	1
16	thermostat cartridge	98282001	-	1
17	shut off unit with selector	98283000	-	1
18	stop ring for flow control	95927000	-	1
19	set of nuts	96157000	-	1
20	non return valve (pressure-resistant up to 2 MPa)	93136000	-	1
21	non return valve	96737000	-	1
22	O-ring 17x1,5	98137000	-	1
23	filter packing	96922000	-	1
24	isolation valve	98341000	-	1
25	escutcheon	98340000	-	1
26	support, assy	98714000	-	1
27	seal	98058000	-	1
28	shower hose Isiflex'B 1,60 m	28276000	-	1